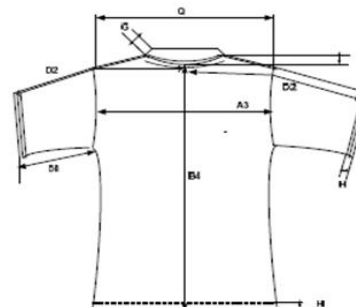




Garment Specifications - Style 4100L Premium Cotton Ladies' T-Shirt 100% Cotton Preshrunk , 185 g/m²

MEASUREMENTS IN CENTIMETERS

Dimensions - Size / Dimensiones - Talla	S	M	L	XL	2XL	Tol
A- Chest *	44	49	54	59	64	± 2
A1- Front shoulder breadth	34	37.5	40	44.5	47.5	± 1.5
A2- Bottom width	44	49	54	59	64	± 2
A3-Back shoulder breadth	34	37.5	40	44.5	47.5	± 1.5
B- Length from HPS *	64.5	66	68.5	71	72.5	± 3
B2- Front body length	52	53.5	56	58	58.5	± 3
B3- Waist height	40	41.5	42	43	44	± 3
B4- Back body length	62	63.5	66	68.5	70	± 3
C- Shoulder	11	11.5	13	14	14.5	± 1
D- Sleeve length (Center cap)	14.5	15	16	16.5	17	± 1.5
D2- Sleeve length (Center back) *	33.5	35.5	37.5	40	42.5	± 2
D3- Sleeve opening relaxed	14.5	16	16.5	18	19	± 1.5
D6- Sleeve width	18	19	20.5	21.5	22.5	± 1
D8- Undersleeve length *	4.5	5	5.5	6	7	± 1.5
E- Armhole	21.5	22.5	23.5	24	25.5	± 2
F- Neck opening *	19	20.5	20.5	21.5	21.5	± 1.5
F1- Front Neck Drop	12	12	12	13.5	13.5	± 1
F3- Back neck drop	2.5	2.5	2.5	2.5	2.5	± 1
G- Neck rib height	1.2	1.2	1.2	1.2	1.2	± 0.3
H- Hem height	1.5	1.5	1.5	1.5	1.5	± 0.3
Q- Across shoulder	38	40.5	43	47	50	± 2
S- Shoulder slope	3	3	3	3	3	± 0.5
W- Waist width	41	45.5	50	55	59	± 2



Packaging Information

Style	Size	Case type	Case Outside Dimension L x W x H (cm)	Packaging 1st and 2nd Quality						
				# Doz	Case net weight (lbs)	Gross weight White (lbs)	Gross weight Lights (lbs)	Gross weight Dark (lbs)	Cube	Case per Pallet
4100L	S	8	54.61 x 41.28 x 14.69	3	2.00	13.20	13.28	13.37	1.163	54
	M	8	54.61 x 41.28 x 14.69	3	2.00	14.65	14.75	14.84	1.163	54
	L	8	54.61 x 41.28 x 14.69	3	2.00	16.18	16.29	16.40	1.163	54
	XL	8	54.61 x 41.28 x 14.69	3	2.00	17.79	17.91	18.02	1.163	54
	2XL	1	54.61 x 41.28 x 22.23	3	2.36	19.73	19.87	20.00	1.769	36

Total Colours

10